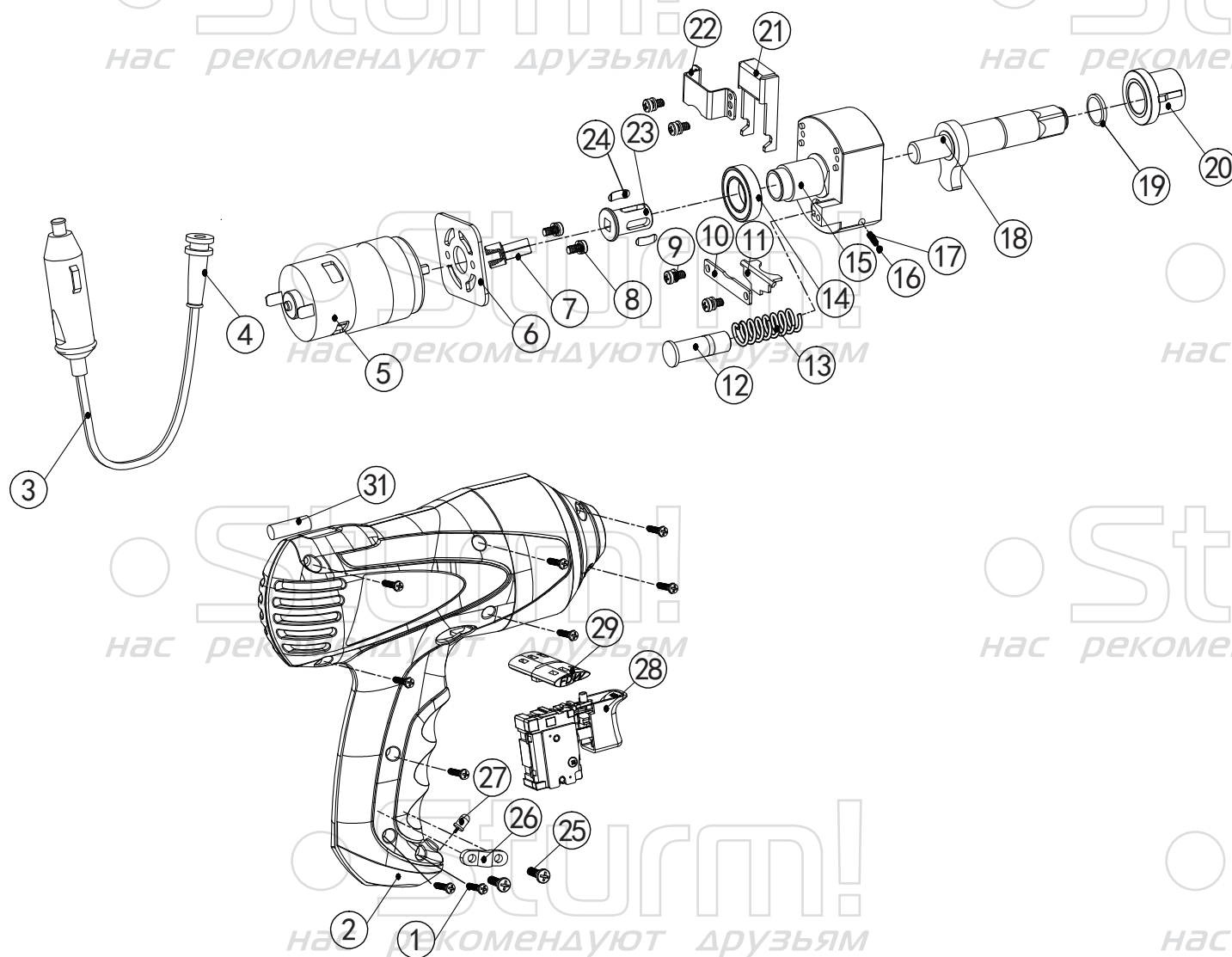


# IW2101



NO.	DESCRIPTION	SPEC.
1	SCREW	ST3.5X14
2	HOUSING	
3	POWER CORD	
4	POWER CORD PROTECTOR	
5	MOTOR	
6	MOTOR SUPPORT PLATE	
7	CONNECTING SHAFT	
8	SCREW M4X8	
9	SCREW M4X10	
10	HOLDING PLATE	
11	OPERATING LEVER	
12	DRIVE CAM	
13	SPRING	
14	BEARING 6903Z	6903Z
15	RATCHET WHEEL	
16	STEEL BALL	
17	SPRING	
18	OUTPUT SHAFT	
19	STEEL WIRE RING	
20	STEEL BALL	
21	COUNTER WEIGHT	
22	HOLDING PLATE 2	
23	MOTOR CONNECTING SHAFT	
24	SHRAPNEL	
25	SCREW ST4X16	ST4X16
26	POWER CORD ANCHORAGE	
27	LED LIGHT	
28	SWITCH	
29	DIRECTION SETTING BUTTON	
31	LEVEL	